



# F&T Kondensatoren GmbH

Germany  
 25813 Husum Nedderweg  
 Telefon: +49 (0) 4841 8957 0  
 Telefax: +49 (0) 4841 8957 45  
 email: info@ftcap.de

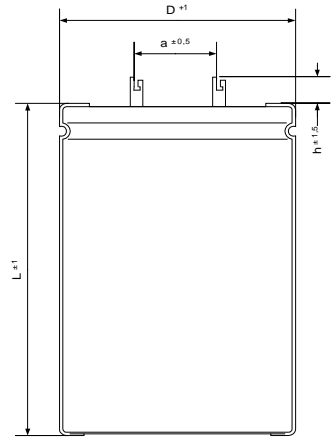
## Data sheet LFAE25150035066

**Customer :** FJZ-AJF  
**Drawing No.** 7050  
**Date :** 19.12.2000

### QUICK REFERENCE DATA

### Component outlines

<b>Features :</b>	High capacitance, high reliability All contacts welded, safety vent. Negative pole is contacted to the case by the electrolyte. Very high CU product
<b>Applications :</b>	Flash applications
<b>Useful life :</b>	See diagram Useful life The end of lifetime is reached if : D C/C > 30 %; tan $\delta$ > 3 x initial value; Z > 3 x initial value
<b>Charge - discharge :</b>	10 <sup>6</sup> switching operations in accordance with IEC 384-4 Switching operations (with RxC = 0,1 s) shall not cause a capacitance change of more than 10%. If a capacitor is switched continuously, the charge and discharge currents have to be considered as ripple currents. The RMS value of these currents should be determined and the resultant value must not exceed the applicable I <sub>r</sub> .
<b>Leakage current :</b>	0,008°C[ $\mu$ F]*U[V]+4 $\mu$ A [ $\mu$ A] (after 5min at 20°C)
<b>Operational IL :</b>	0,001°C[ $\mu$ F]*U[V]+3 $\mu$ A [ $\mu$ A]
<b>Temperature range :</b>	-40°C ... +85°C
<b>Reverse voltage :</b>	max. 2V
<b>Isolation :</b>	Shrink sleeve; voltage proof 2500 Vac
<b>Standards :</b>	IEC 384-4



D = 35                      L = 66  
 h = 10                      a = 20

All dims. in mm

Technical Data	U <sub>R</sub>	C <sub>R</sub>	Cap. tolerance	Surge voltage	I Leakage 20°C	I Ripple 85°C; 100 Hz	Typ tan $\delta$ 20°C 100 Hz	Typ. ESR 100 Hz	Max. Z 10 kHz	Typ. ESL	Size $\varnothing$ x L
	[V]	100 Hz [ $\mu$ F]	[%]	[V]	[ $\mu$ A]	[A]	[%]	[m $\Omega$ ]	[m $\Omega$ ]	[nH]	[mm]
	500	250	± 10 %	550	1000	0,84	8,00	510	800	40	35x66

