

Aluminium Electrolytic Capacitors

11 Central mounted Capacitors Type S



Features

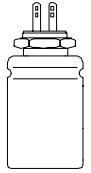
- central mounting
- roughened anode
- long useful life
- soldering lug terminals

Applications

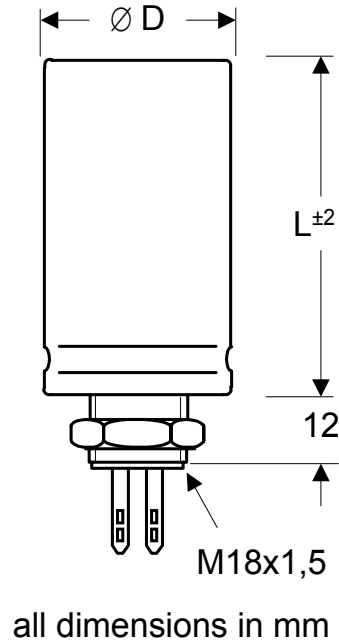
- electronic industries
- tube amplifier

Quick reference

	$U_R < 160 \text{ V}$	$U_R \geq 160 \text{ V}$
Temperature range	- 40°C ... + 105°C	- 40°C ... + 85°C
Tolerance	+ 30% -10%	
Max. reverse voltage	2V	
Useful life	see diagram useful life p. 57	
Leakage current 5 min @ U_R	$0,008 * C [\mu\text{F}] * U [\text{V}] + 4 \mu\text{A} [\mu\text{A}]$	
Leakage current 1 h @ U_R	$0,12 * \text{leakage current 5 min @ } U_R$	
Specs.	DIN 41332 IEC 384 - 4	
Insulation	single capacitance with shrink - on sleeve (on request)	
Delivered with	mounting nut M 18	
Terminals single capacitance	soldering lugs (positive and negative pole)	
Terminals double capacitance	positive pole : soldering lugs; Negative pole : case	



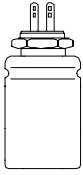
11.1 Mechanical Data Type S



D x L

Capacitance [μ F]	Rated voltage [V]								
	16	25	40	63	100	160	250	350	450
22									25 x 40
33									25 x 40
47								25 x 40	25 x 40
100						25 x 40	25 x 40	25 x 40	30 x 54
220					25 x 40	25 x 40	25 x 54	25 x 54	35 x 54
470				25 x 40	25 x 40	30 x 54	35 x 54	35 x 70	
1000			25 x 40	25 x 40	25 x 54	35 x 70			
2200		25 x 40	25 x 40	25 x 40	35 x 54				
4700		25 x 40	30 x 40	30 x 54					
10000	30 x 40	30 x 54	35 x 54	35 x 70					
22000	35 x 54	35 x 54							
22 + 22									25 x 40
33 + 33								25 x 40	25 x 54
47 + 47								25 x 40	30 x 54
100 + 100								30 x 54	35 x 54

Type S is also manufactured for higher requirements. Please call us, if need arises. It is a pleasure for us to make you an offer.

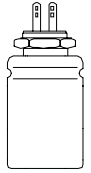


Aluminium Electrolytic Capacitors

11.2 Standard Values Type S

U _R [V]	C _R [μF]	Case size Ø x L [mm]	ESR _{100 Hz} 20°C typ. [mΩ]	ESR _{100 Hz} 20°C max. [mΩ]	tan δ _{100 Hz} 20°C max. [%]	Rated ripple current 100Hz		Order code
						85°C [A]	105°C [A]	
16	10000	30 x 40	30	45	30		1,9	S10301630040
16	22000	35 x 54	20	30	36		2,8	S22301635054
25	2200	25 x 40	32	48	15		1,7	S22202525040
25	4700	25 x 40	30	45	18		1,7	S47202525040
25	10000	30 x 54	27	40	22		2,2	S10302530054
25	22000	35 x 54	17	26	30		3,0	S22302535054
40	1000	25 x 40	50	75	11		1,3	S10204025040
40	2200	25 x 40	45	68	12		1,4	S22204025040
40	4700	30 x 40	40	60	14		1,6	S47204030040
40	10000	35 x 54	23	35	20		2,6	S10304035054
63	470	25 x 40	113	170	10		0,9	S47106325040
63	1000	25 x 40	93	140	10		1,0	S10206325040
63	2200	25 x 40	63	95	12		1,2	S22206325040
63	4700	30 x 54	37	55	13		1,9	S47206330054
63	10000	35 x 70	21	31	14		3,1	S10306335070
100	220	25 x 40	233	350	8		0,6	S22110025040
100	470	25 x 40	167	250	9		0,7	S47110025040
100	1000	25 x 54	107	160	10		1,0	S10210025054
100	2200	35 x 54	60	90	12		1,6	S22210035054
160	100	25 x 40	500	750	8	0,7		S10116025040
160	220	25 x 40	400	600	9	0,8		S22116025040
160	470	30 x 54	200	300	9	1,4		S47116030054
160	1000	35 x 70	93	140	10	2,5		S10216035070
250	100	25 x 40	493	740	7	0,7		S10125025040
250	220	25 x 54	347	520	8	1,0		S22125025054
250	470	35 x 54	167	250	8	1,7		S47125035054
350	47	25 x 40	1267	1900	7	0,5		S47035025040
350	100	25 x 40	1000	1500	7	0,5		S10135025040
350	220	25 x 54	387	580	7	0,9		S22135025054
350	470	35 x 70	187	280	8	1,8		S47135035070
450	22	25 x 40	1600	2400	8	0,4		S22045025040
450	33	25 x 40	1200	1800	8	0,5		S33045025040
450	47	25 x 40	1000	1500	8	0,5		S47045025040
450	100	30 x 54	547	820	8	0,8		S10145030054
450	220	35 x 54	213	320	8	1,5		S22145035054
350	33 + 33	25 x 40	1600	2400	15	0,2		SZ33035025040
350	47 + 47	25 x 40	1267	1900	15	0,2		SZ47035025040
350	100 + 100	30 x 54	1000	1500	15	0,3		SZ10135030054
450	22 + 22	25 x 40	1600	2400	15	0,2		SZ22045025040
450	33 + 33	25 x 54	1200	1800	15	0,3		SZ33045025054
450	47 + 47	30 x 54	1000	1500	15	0,3		SZ47045030054
450	100 + 100	35 x 54	547	820	15	0,5		SZ10145035054

Please notice the new order code.



11.2.1 Useful Life Typ S

